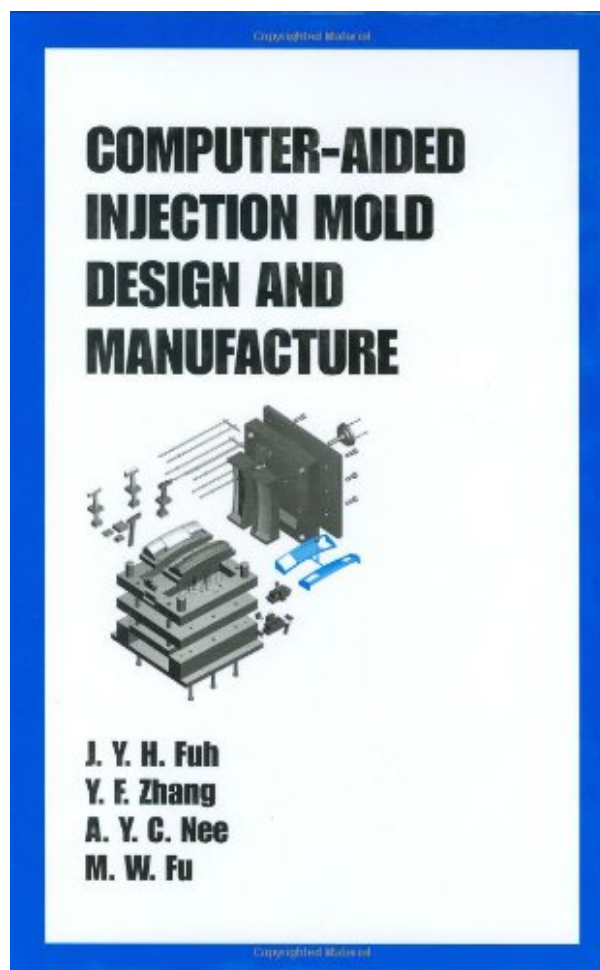


**COMPUTER-AIDED INJECTION MOLD
DESIGN AND MANUFACTURE (PLASTICS
ENGINEERING) BY J.Y.H. FUH, M. W. FU,
A.Y.C. NEE**

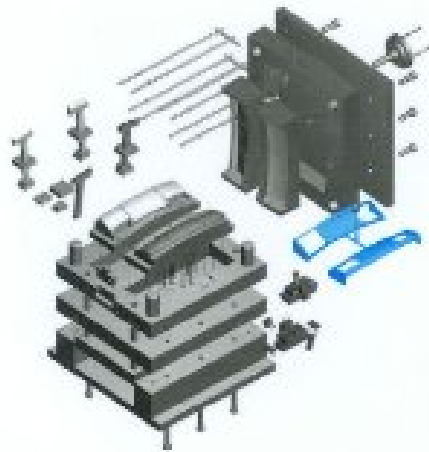


**DOWNLOAD EBOOK : COMPUTER-AIDED INJECTION MOLD DESIGN AND
MANUFACTURE (PLASTICS ENGINEERING) BY J.Y.H. FUH, M. W. FU, A.Y.C.
NEE PDF**



Copyrighted Material

COMPUTER-AIDED INJECTION MOLD DESIGN AND MANUFACTURE



J. Y. H. Fuh
Y. F. Zhang
A. Y. C. Nee
M. W. Fu

Copyrighted Material

Click link bellow and free register to download ebook:
**COMPUTER-AIDED INJECTION MOLD DESIGN AND MANUFACTURE (PLASTICS
ENGINEERING) BY J.Y.H. FUH, M. W. FU, A.Y.C. NEE**

[DOWNLOAD FROM OUR ONLINE LIBRARY](#)

COMPUTER-AIDED INJECTION MOLD DESIGN AND MANUFACTURE (PLASTICS ENGINEERING) BY J.Y.H. FUH, M. W. FU, A.Y.C. NEE PDF

You could conserve the soft documents of this book **Computer-Aided Injection Mold Design And Manufacture (Plastics Engineering) By J.Y.H. Fuh, M. W. Fu, A.Y.C. Nee** It will depend on your extra time and also activities to open and also read this book Computer-Aided Injection Mold Design And Manufacture (Plastics Engineering) By J.Y.H. Fuh, M. W. Fu, A.Y.C. Nee soft documents. So, you could not be scared to bring this book Computer-Aided Injection Mold Design And Manufacture (Plastics Engineering) By J.Y.H. Fuh, M. W. Fu, A.Y.C. Nee all over you go. Simply include this sot data to your kitchen appliance or computer system disk to allow you review whenever and also all over you have time.

Review

"...the most comprehensive and detailed review of all the major developments that have characterized the emergence of these important fields. It will form an indispensable reference work for scientists and engineers in academia and industry for years to come....recommend[ed]." - Dr. Donald Fitzmaurice, Department of Chemistry, University College Dublin, Ireland; "This Encyclopaedia is being assembled at an early stage in the field's development and should bring together the key advances in a coherently organised framework." - Sir Harry Kroto, Nobel Prize Winner in Chemistry (1996), University of Sussex, Brighton, United Kingdom"

COMPUTER-AIDED INJECTION MOLD DESIGN AND MANUFACTURE (PLASTICS ENGINEERING) BY J.Y.H. FUH, M. W. FU, A.Y.C. NEE PDF

[Download: COMPUTER-AIDED INJECTION MOLD DESIGN AND MANUFACTURE \(PLASTICS ENGINEERING\) BY J.Y.H. FUH, M. W. FU, A.Y.C. NEE PDF](#)

Simply for you today! Discover your preferred publication here by downloading and also obtaining the soft data of guide **Computer-Aided Injection Mold Design And Manufacture (Plastics Engineering) By J.Y.H. Fuh, M. W. Fu, A.Y.C. Nee** This is not your time to typically visit guide shops to get a publication. Below, selections of e-book Computer-Aided Injection Mold Design And Manufacture (Plastics Engineering) By J.Y.H. Fuh, M. W. Fu, A.Y.C. Nee and also collections are readily available to download. Among them is this Computer-Aided Injection Mold Design And Manufacture (Plastics Engineering) By J.Y.H. Fuh, M. W. Fu, A.Y.C. Nee as your favored e-book. Obtaining this book Computer-Aided Injection Mold Design And Manufacture (Plastics Engineering) By J.Y.H. Fuh, M. W. Fu, A.Y.C. Nee by on the internet in this site could be realized now by going to the web link page to download and install. It will be easy. Why should be here?

The benefits to consider reading guides *Computer-Aided Injection Mold Design And Manufacture (Plastics Engineering) By J.Y.H. Fuh, M. W. Fu, A.Y.C. Nee* are pertaining to boost your life quality. The life quality will not simply about just how much understanding you will get. Also you read the fun or enjoyable publications, it will aid you to have boosting life high quality. Really feeling enjoyable will lead you to do something perfectly. Moreover, guide Computer-Aided Injection Mold Design And Manufacture (Plastics Engineering) By J.Y.H. Fuh, M. W. Fu, A.Y.C. Nee will certainly offer you the session to take as an excellent need to do something. You might not be pointless when reviewing this e-book Computer-Aided Injection Mold Design And Manufacture (Plastics Engineering) By J.Y.H. Fuh, M. W. Fu, A.Y.C. Nee

Don't bother if you do not have sufficient time to head to the e-book establishment as well as search for the preferred e-book to review. Nowadays, the online e-book Computer-Aided Injection Mold Design And Manufacture (Plastics Engineering) By J.Y.H. Fuh, M. W. Fu, A.Y.C. Nee is pertaining to provide ease of reading routine. You might not have to go outside to browse guide Computer-Aided Injection Mold Design And Manufacture (Plastics Engineering) By J.Y.H. Fuh, M. W. Fu, A.Y.C. Nee Searching and also downloading and install the book entitle Computer-Aided Injection Mold Design And Manufacture (Plastics Engineering) By J.Y.H. Fuh, M. W. Fu, A.Y.C. Nee in this short article will offer you better remedy. Yeah, on the internet publication Computer-Aided Injection Mold Design And Manufacture (Plastics Engineering) By J.Y.H. Fuh, M. W. Fu, A.Y.C. Nee is a kind of electronic publication that you can enter the web link download provided.

COMPUTER-AIDED INJECTION MOLD DESIGN AND MANUFACTURE (PLASTICS ENGINEERING) BY J.Y.H. FUH, M. W. FU, A.Y.C. NEE PDF

Examining processes that affect more than 70 percent of consumer products ranging from computers to medical devices and automobiles, this reference presents the latest research in automated plastic injection and die casting mold design and manufacture. It analyzes many industrial examples and methodologies while focusing on the algorithms, implementation procedures, and system architectures that will lead to a fully automated or semi-automated computer-aided injection mold design system (CADIMDS). This invaluable guide in this challenging area of precision engineering summarizes key findings and innovations from the authors' many years of research on intelligent mold design technologies.

- Sales Rank: #5983995 in Books
- Brand: Brand: CRC Press
- Published on: 2004-08-02
- Original language: English
- Number of items: 1
- Dimensions: 9.30" h x 1.00" w x 6.24" l, 1.48 pounds
- Binding: Hardcover
- 392 pages

Features

- Used Book in Good Condition

Review

"...the most comprehensive and detailed review of all the major developments that have characterized the emergence of these important fields. It will form an indispensable reference work for scientists and engineers in academia and industry for years to come....recommend[ed]." - Dr. Donald Fitzmaurice, Department of Chemistry, University College Dublin, Ireland; "This Encyclopaedia is being assembled at an early stage in the field's development and should bring together the key advances in a coherently organised framework." - Sir Harry Kroto, Nobel Prize Winner in Chemistry (1996), University of Sussex, Brighton, United Kingdom"

Most helpful customer reviews

1 of 1 people found the following review helpful.

Plastics engineering?

By Materialguy

Computer-Aided Injection Mold Design and Manufacture (Plastics Engineering).

Maybe its my problem but I would not expect a book titled mould design for the plastics industry to have maybe 40% dedicated to die-casting. If you can get around the poor English there is some useful information in here. But again some sections that I would think to be essential for both cavity and mould flow design for injection moulding are related to die casting of hot metal.

[See all 1 customer reviews...](#)

COMPUTER-AIDED INJECTION MOLD DESIGN AND MANUFACTURE (PLASTICS ENGINEERING) BY J.Y.H. FUH, M. W. FU, A.Y.C. NEE PDF

Why need to be this on the internet book **Computer-Aided Injection Mold Design And Manufacture (Plastics Engineering) By J.Y.H. Fuh, M. W. Fu, A.Y.C. Nee** You might not require to go somewhere to read guides. You can review this publication Computer-Aided Injection Mold Design And Manufacture (Plastics Engineering) By J.Y.H. Fuh, M. W. Fu, A.Y.C. Nee every time and every where you really want. Also it is in our leisure or sensation bored of the jobs in the workplace, this is right for you. Get this Computer-Aided Injection Mold Design And Manufacture (Plastics Engineering) By J.Y.H. Fuh, M. W. Fu, A.Y.C. Nee right now and also be the quickest person that completes reading this e-book Computer-Aided Injection Mold Design And Manufacture (Plastics Engineering) By J.Y.H. Fuh, M. W. Fu, A.Y.C. Nee

Review

"...the most comprehensive and detailed review of all the major developments that have characterized the emergence of these important fields. It will form an indispensable reference work for scientists and engineers in academia and industry for years to come....recommend[ed]." - Dr. Donald Fitzmaurice, Department of Chemistry, University College Dublin, Ireland; "This Encyclopaedia is being assembled at an early stage in the field's development and should bring together the key advances in a coherently organised framework." - Sir Harry Kroto, Nobel Prize Winner in Chemistry (1996), University of Sussex, Brighton, United Kingdom"

You could conserve the soft documents of this book **Computer-Aided Injection Mold Design And Manufacture (Plastics Engineering) By J.Y.H. Fuh, M. W. Fu, A.Y.C. Nee** It will depend on your extra time and also activities to open and also read this book Computer-Aided Injection Mold Design And Manufacture (Plastics Engineering) By J.Y.H. Fuh, M. W. Fu, A.Y.C. Nee soft documents. So, you could not be scared to bring this book Computer-Aided Injection Mold Design And Manufacture (Plastics Engineering) By J.Y.H. Fuh, M. W. Fu, A.Y.C. Nee all over you go. Simply include this sot data to your kitchen appliance or computer system disk to allow you review whenever and also all over you have time.